

Crane Management

System Upgrade Kit

Most Konecranes port cranes and shipyard cranes delivered between 2005 and 2018 will have computer components and software that is not only outdated, but no longer repairable because spare parts are out of manufacture.



Get more done

Konecranes is the premier port services provider to brownfield terminal developments.

Now you can get all the advantages of Konecranes technology in a DIY (Do-It-Yourself) kit.

Bring your equipment up to the standards and specs of those rolling off the factory floor today.

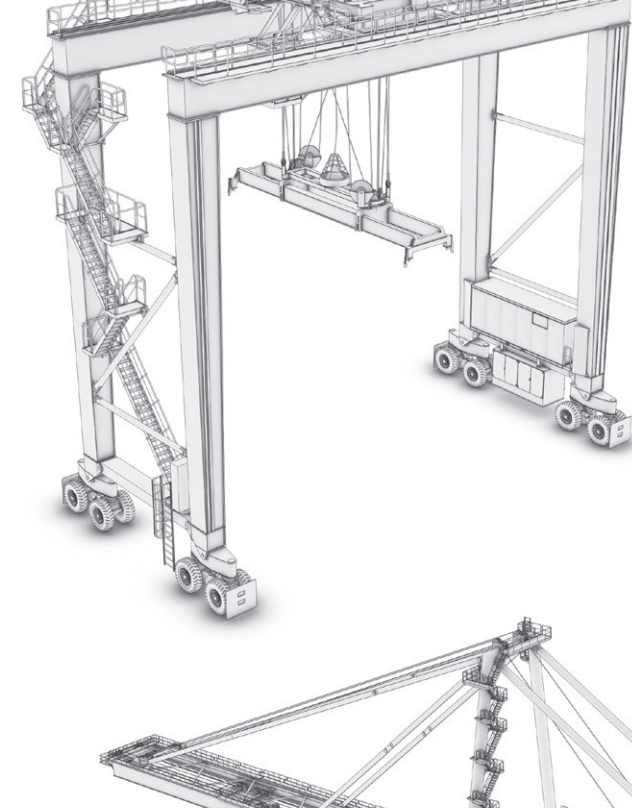
The power of our technology is now in your hands.



Benefits

- Availability of parts
- Faster and more stable CMS
- Upgraded to Windows 10
- Battery-based UPS Uninterruptible is very often the reason for CMS failures; upgrade kits to older model cranes always include a new capacitor-based UPS.

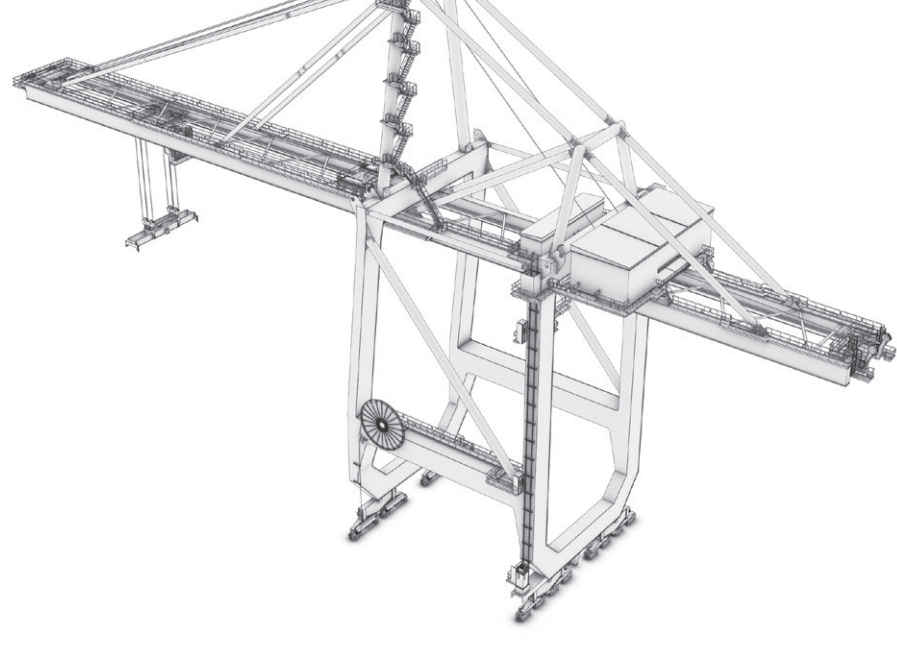
This Upgrade Kit is only suitable for the following Konecranes equipment: yard cranes, shipyard cranes and bulk handling cranes.



RTG
Rubber-Tired Gantry Crane

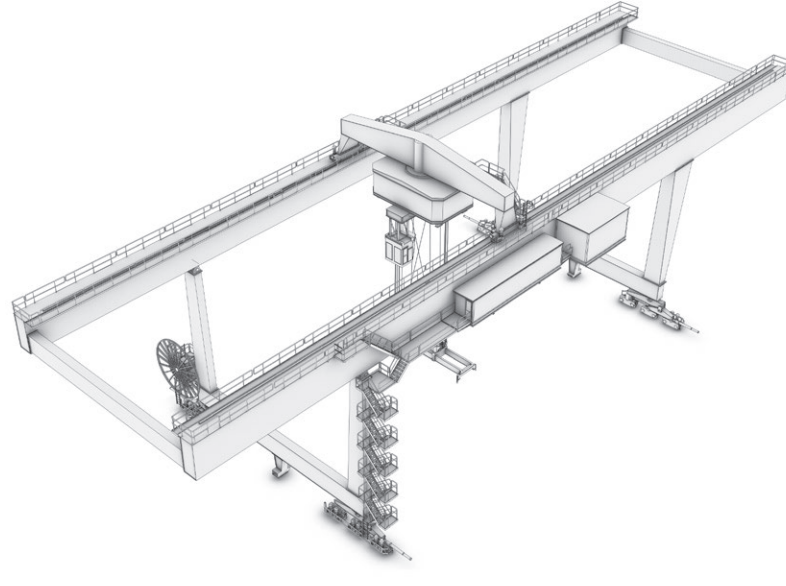
STS
Ship-to-Shore Crane

RMG
Rail-Mounted Gantry Crane



GU
Grab Unloader

SYC
Shipyard Crane



The Crane Management System (CMS) is an application for crane diagnostics and for collecting crane operation and usage data. The Konecranes CMS is a high-performance, stand-alone computer application which is designed specifically for cranes.

With a functioning CMS system you have access to crane status indication, crane online monitoring, indication of active faults, fault history, operational data, crane usage data and PDF documentation for your crane.



What's in the box?

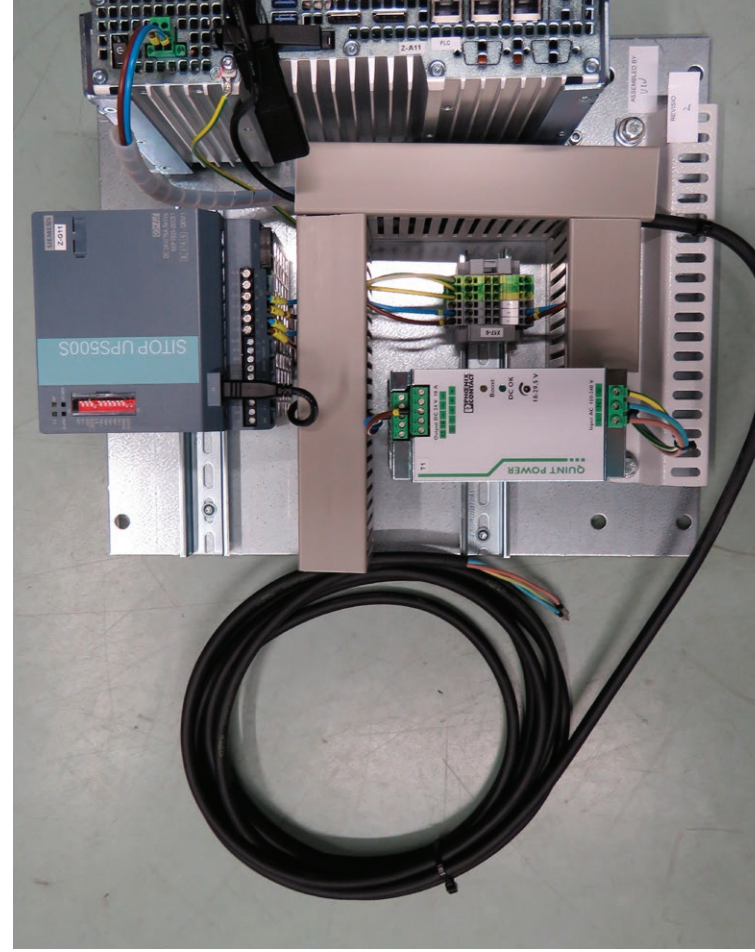
Specific items may vary according to the age of your crane.

Hardware

- Latest version of the CMS computer (always included)
- Replacement cables (always included)
- New capacitor-based UPS system (when replacing older CMS systems)
- New keyboard and mouse (when replacing older CMS systems)

Software

- Updated operating system Windows 10 (always included)
- Updated Wonderware licenses (when replacing older CMS systems)
- The old software application and database transferred to new operating system without any functional changes (always included)



Ports. Evolved.



Konecranes is a global leader in material handling solutions, serving a broad range of customers across multiple industries. We consistently set the industry benchmark, from everyday improvements to the breakthroughs at moments that matter most, because we know we can always find a safer, more productive and sustainable way. That's why, with around 16,600 professionals in over 50 countries, Konecranes is trusted every day to lift, and move what the world needs. In 2023, Group sales totalled EUR 4.0 billion. Konecranes shares are listed on Nasdaq Helsinki (symbol: KCR).

© 2024 Konecranes. All rights reserved. 'Konecranes', 'Moves what matters' and are either registered trademarks or trademarks of Konecranes.

This publication is for general informational purposes only. Konecranes reserves the right at any time, without notice, to alter or discontinue the products and/or specifications referenced herein. This publication creates no warranty on the part of Konecranes, express or implied, including but not limited to any implied warranty or merchantability or fitness for a particular purpose.