

How can 30% of a jelly fish's propulsion require zero energy?

[contact us](#)

An evolved dual vortex system, that creates thrust even when the muscles are inactive.

Power. Evolved.



Simple electrical conversions that make crane movement safer, quieter and more efficient.

Fuel Saver

A low cost, compact retrofit system that can save up to 30% of fuel consumption without compromising performance or comfort.

Adapt and thrive

Konecranes is the premier port services provider to brownfield terminal developments. Our range of retrofit products will enable your fleet to adapt to a fast-changing environment. Welcome to your evolution.

Benefits

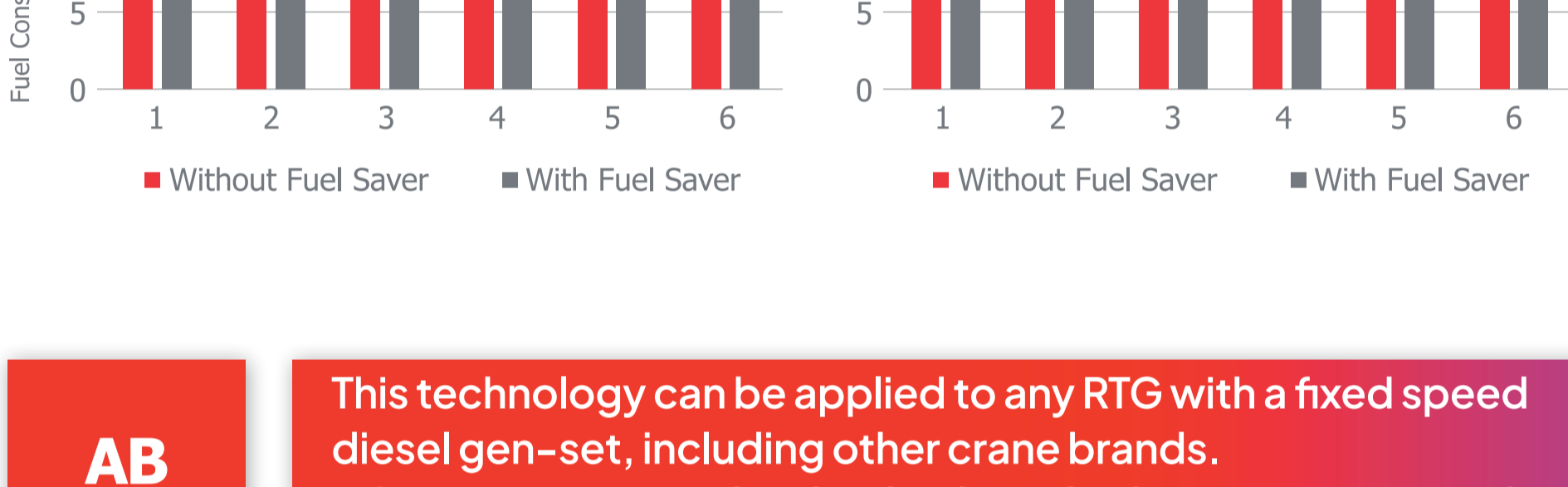
- Reduces CO2 / NOX emissions
- Lower speed produces less noise
- Components wear more slowly, so replacements are less often required
- In Fuel Saver mode the crane's RPMs drop to 50% of that in full diesel mode.
- All lighting and heating systems, e.g. cabin air-conditioning, remain fully functional during idling.



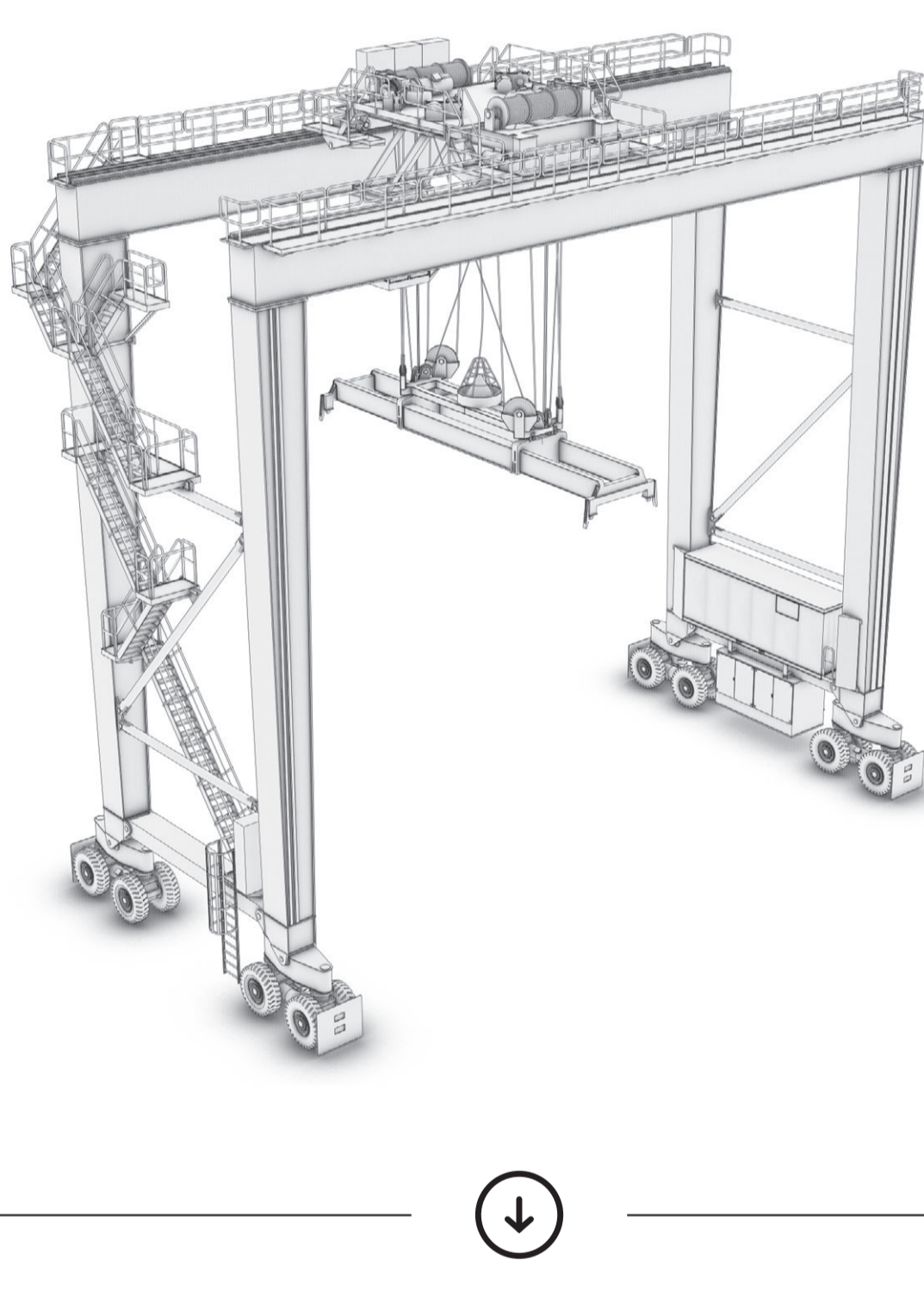
Fuel Savings

The following graphs show the fuel consumption, in litres used per hour, of six different RTG cranes with and without KONECRANES Fuel Saver (FS2) system installed.

The readings were taken during 1 month of operation and show both total fuel consumption and fuel consumption whilst in standby (idle mode).



AB Any Brand This technology can be applied to any RTG with a fixed speed diesel gen-set, including other crane brands. Information required with other brands: Generator type, PLC software program and circuit diagrams.



RTG
Rubber-Tired Gantry Crane



How it works

- Electrical components are mounted either in crane's E-Room or in an outdoor cubicle on top of the E-Room
- Uses proprietary "DynACon" power converter
- Technology switches the diesel engine to idle rotational speed if no load condition is detected, or if a certain period of time has elapsed without movement instructions from the operator
- The moment the operator activates full controls again, the diesel engine returns back to normal RPMs.

What you need to know

- Customer needs to ensure prompt availability and safe work location



Selected References



YEAR	CUSTOMER/LOCATION	QUANTITY
2019	SCPA / Charleston	18
2018	APMT / Port Elizabeth	20
2018/19	CTSP / St Petersburg	19

Ports. Evolved.



Konecranes is a global leader in material handling solutions, serving a broad range of customers across multiple industries. We consistently set the industry benchmark, from everyday improvements to the breakthroughs at moments that matter most, because we know we can always find a safer, more productive and sustainable way. That's why, with around 16,600 professionals in over 50 countries, Konecranes is trusted every day to lift, handle and move what the world needs. In 2023, Group sales totalled EUR 4.0 billion. Konecranes shares are listed on Nasdaq Helsinki (symbol: KCR).

© 2024 Konecranes. All rights reserved. "Konecranes", "Moves what matters" and are either registered trademarks or trademarks of Konecranes.
This publication is for general informational purposes only. Konecranes reserves the right at any time, without notice, to alter or discontinue the products and/or specifications referenced herein. This publication creates no warranty on the part of Konecranes, express or implied, including but not limited to any implied warranty of merchantability or fitness for a particular purpose.