

CraneQ Crane Geometric Survey

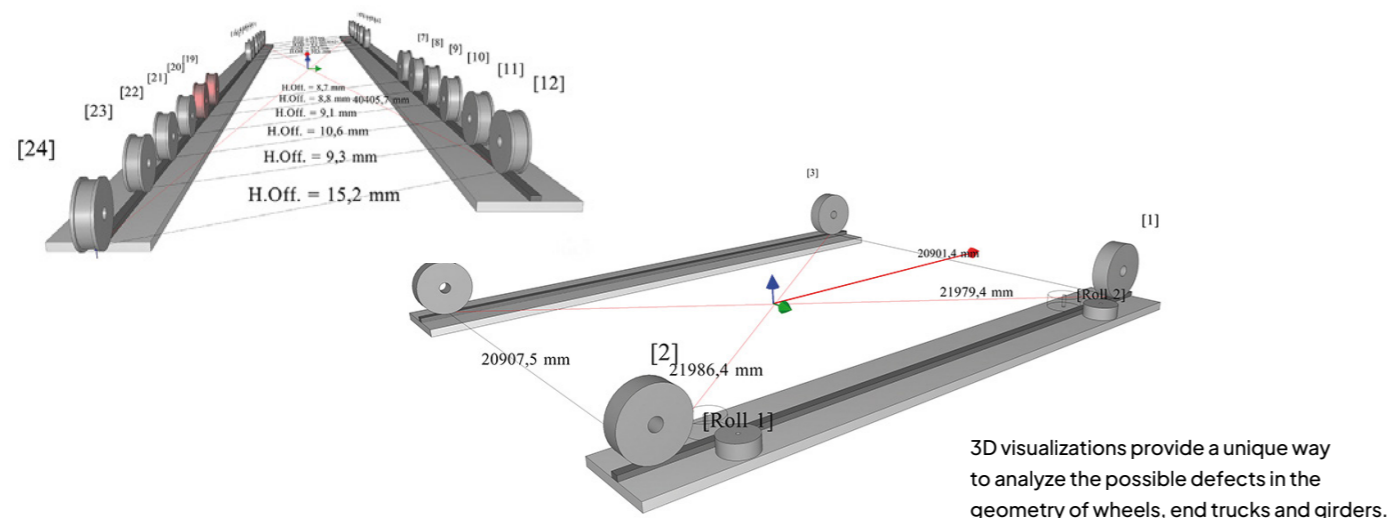


A prescription for recognizing running problems

Do your cranes suffer from premature wheel wear, rail wear, structural component failures, or drive faults? All of these are common results of incorrect crane geometry. Have your crane operators complained that a crane is moving and making strange noises or positioning incorrectly? The CraneQ Crane Geometric Survey can help you find the root cause of these symptoms to avoid more major problems and costly downtime.

→ Benefits of CraneQ

- Provides more accuracy than traditional surveying techniques.
- Reveals problems in crane alignment that cause unnecessary wear on components or safety issues.
- Minimizes downtime due to component wear by assuring correct component alignment.

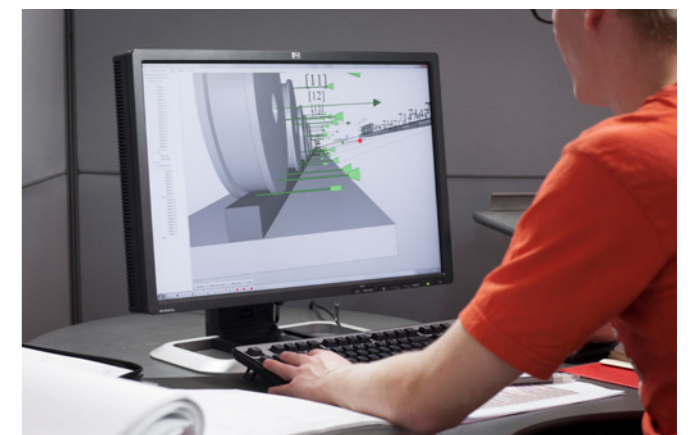


Geometric insight into the alignment and square of your crane

Cranes that are straight, square and aligned experience less repair costs and are more reliable. Konecranes CraneQ Crane Geometric Survey provides accurate information detailing the alignment and the square of a crane. It measures dimensional tolerances of wheels, guide rollers, end trucks, girders and other components of the crane.

Accurate geometric analysis guides corrective actions

The survey is based on advanced surveying methods developed specifically for crane geometry. Proprietary software and skilled survey technicians provide a geometric analysis of your crane. In addition to the survey results, we share our expertise with suggestions for next steps to help you plan corrective actions.



The CraneQ Crane Geometric Survey and the RailQ 3D Runway Survey work together for a total look of crane and runway geometry.


Learn more about RailQ 3D



CRANEQ CRANE GEOMETRIC SURVEY



Konecranes is a global leader in material handling solutions, serving a broad range of customers across multiple industries. We consistently set the industry benchmark, from everyday improvements to the breakthroughs at moments that matter most, because we know we can always find a safer, more productive and sustainable way. That's why, with around 16,600 professionals in over 50 countries, Konecranes is trusted every day to lift, handle and move what the world needs. In 2023, Group sales totaled EUR 4.0 billion. Konecranes shares are listed on Nasdaq Helsinki (symbol: KCR).

© 2024 Konecranes. All rights reserved. 'Konecranes,' 'Moves what matters,' 'CraneQ' and  are either registered trademarks or trademarks of Konecranes.

This publication is for general informational purposes only. Konecranes reserves the right at any time, without notice, to alter or discontinue the products and/or specifications referenced herein. This publication creates no warranty on the part of Konecranes, express or implied, including but not limited to any implied warranty or merchantability or fitness for a particular purpose.

KONECRANES Moves what matters.