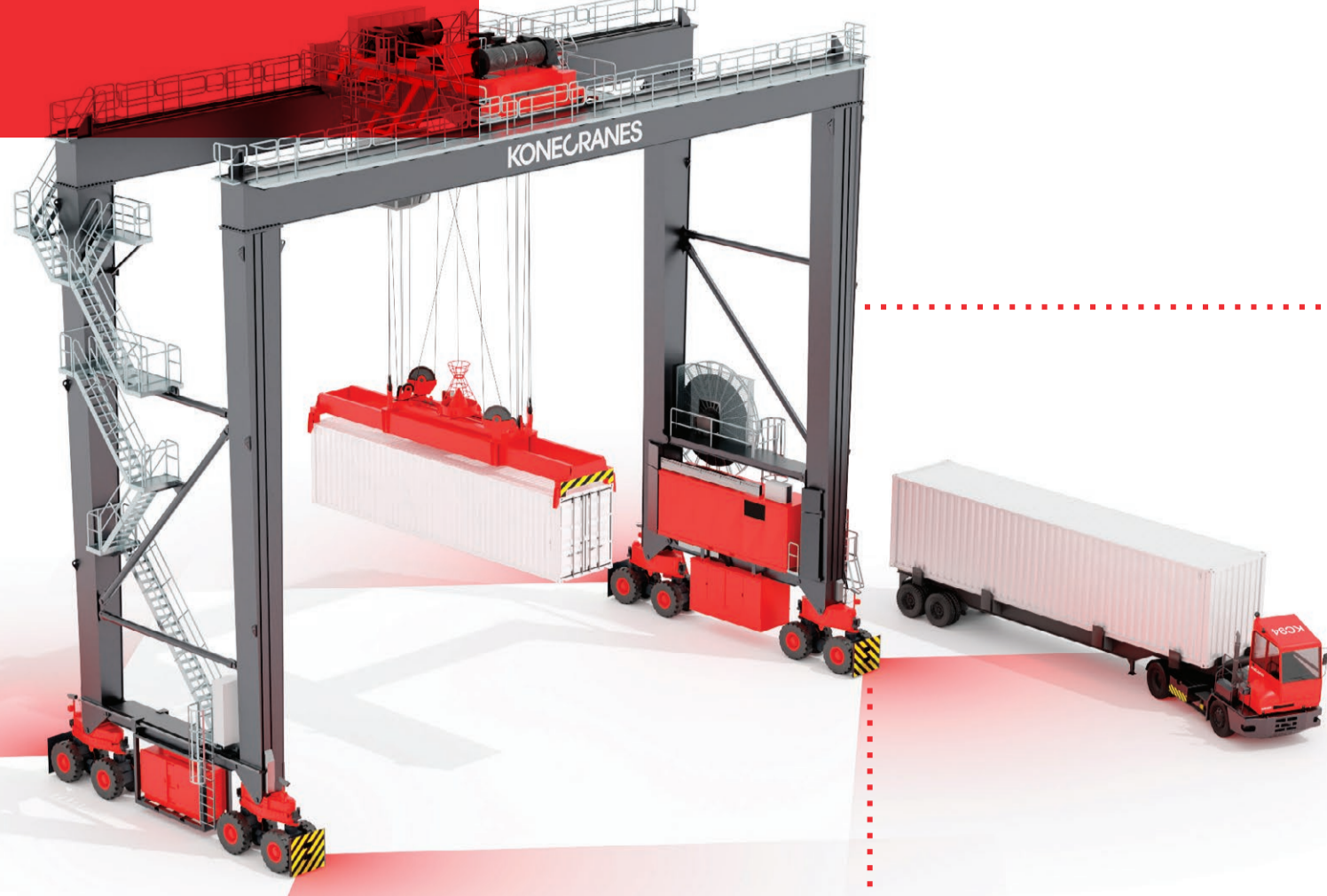
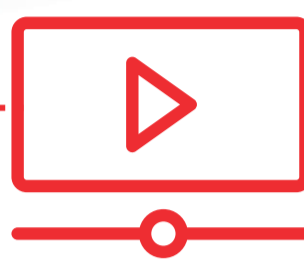


SAFETY-ASSIST RETROFITS

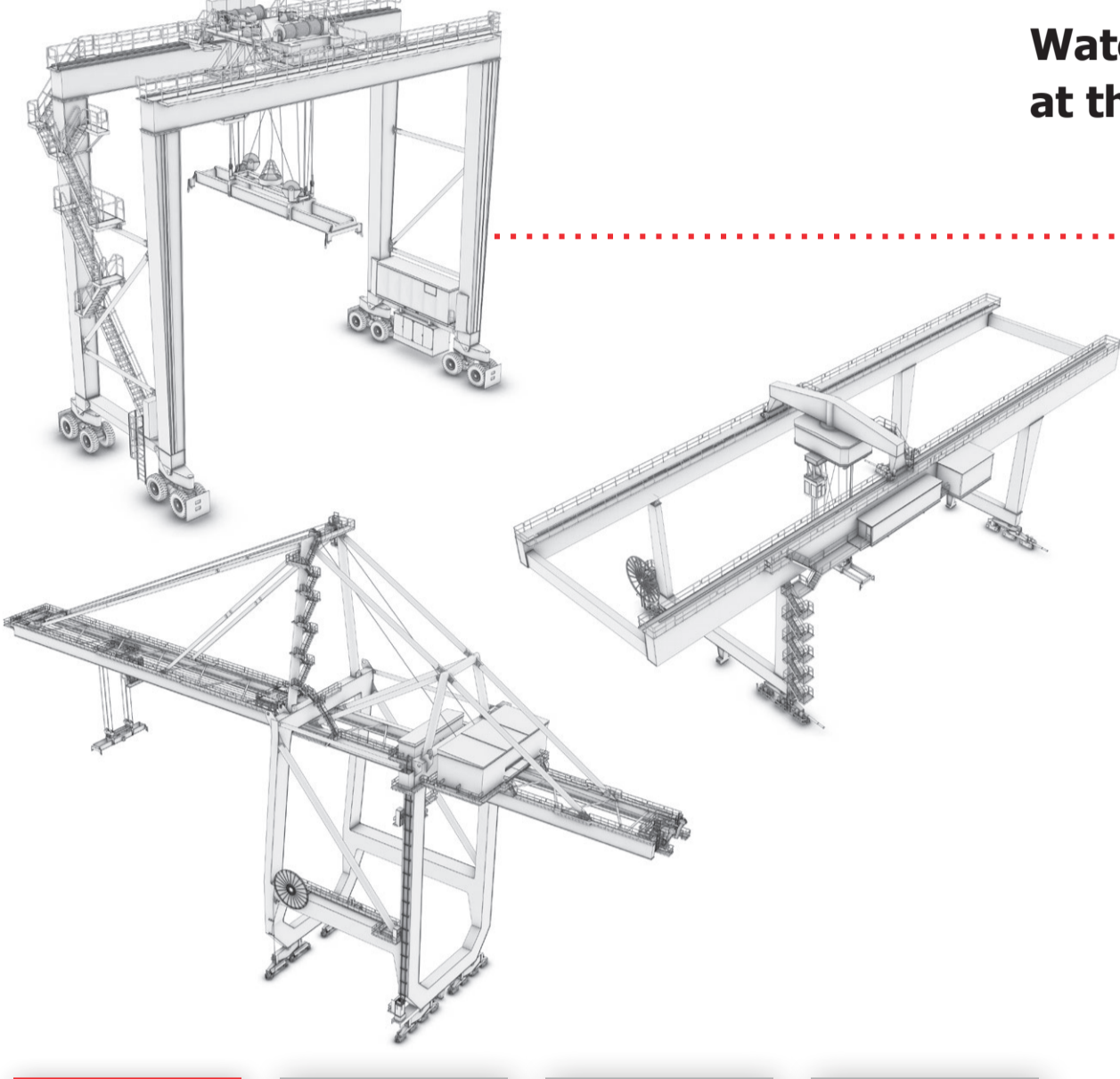
Gantry Collision Prevention



Assists in avoiding crane-to-crane and crane-to-obstacle collisions.



Watch video at this link



EQUIPMENT

This technology can be applied to the following Konecranes equipment and **any other crane brand.**

Installation of laser sensor and PLC connection may vary when implementing system to other RTG brands.

- AB**
Any Brand
- RTG**
Rubber-Tyred Gantry
- STS/GU**
Ship-to-Shore Grab Unloader
- RMG**
Rail-Mounted Gantry



BENEFITS

- Laser sensors in the system perform slowdown and stop-limits within a 20-meter range
- The system works in every mode of gantry travel: normal, cross and rotate
- Longer range and better weather tolerance compared to ultra-sonic sensors
- Simplest and most accurate solution in the market
- Highly resistant to adverse weather.

HOW IT WORKS

- A laser sensor is installed on each RTG bogie
- Safety zones are pre-programmed to comply with local regulations and your own yard requirements
- If a laser sensor detects something inside the safety zone, the crane stops moving
- Operators are informed of the system status at all times.

WHAT YOU NEED TO KNOW

- Gantry collision prevention is mandatory with further automation
- Turn-key project delivery with all required hardware and software plus training
- Site works and commissioning: 2 days per crane
- Customer needs to ensure prompt availability of cranes to ensure the above timelines
- Customer needs to provide safe location where installation and commissioning can be completed.



SELECTED REFERENCES



Year	Customer/Location	Quantity
2022	PHA / USA	8
2022	Port Everglades / USA	4
2020	Luka Koper / Slovenia	2
2019	TMS / Spain	3
2019	SCPA / USA	18
2018	APMT / USA	32
2016	APC / Israel	24

Ports. Evolved.

KONECRANES



Konecranes is a world-leading group of Lifting Businesses™, serving a broad range of customers, including manufacturing and process industries, shipyards, ports and terminals. Konecranes provides productivity enhancing lifting solutions as well as services for lifting equipment of all makes. The Group has more than 16,000 employees at 600 locations in 50 countries. Konecranes shares are listed on the Nasdaq Helsinki (symbol: KCR).

© 2022 Konecranes. All rights reserved. 'Konecranes', 'Lifting Businesses' and C are either registered trademarks or trademarks of Konecranes.

This publication is for general informational purposes only. Konecranes reserves the right at any time, without notice, to alter or discontinue the products and/or specifications referenced herein. This publication creates no warranty on the part of Konecranes, express or implied, including but not limited to any implied warranty of merchantability or fitness for a particular purpose.