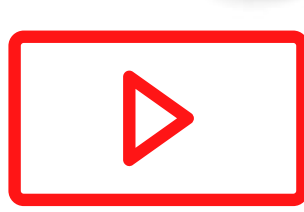
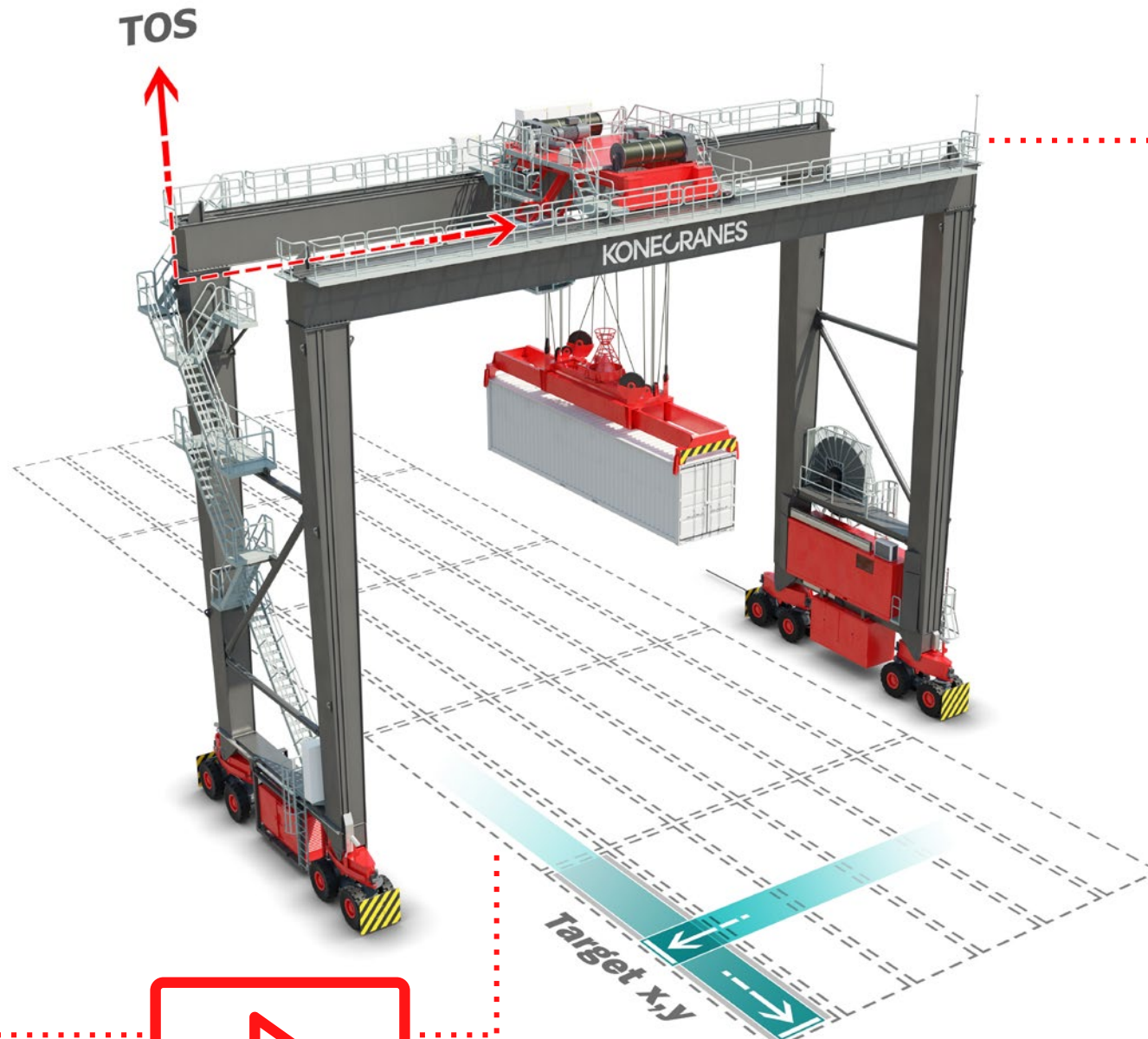


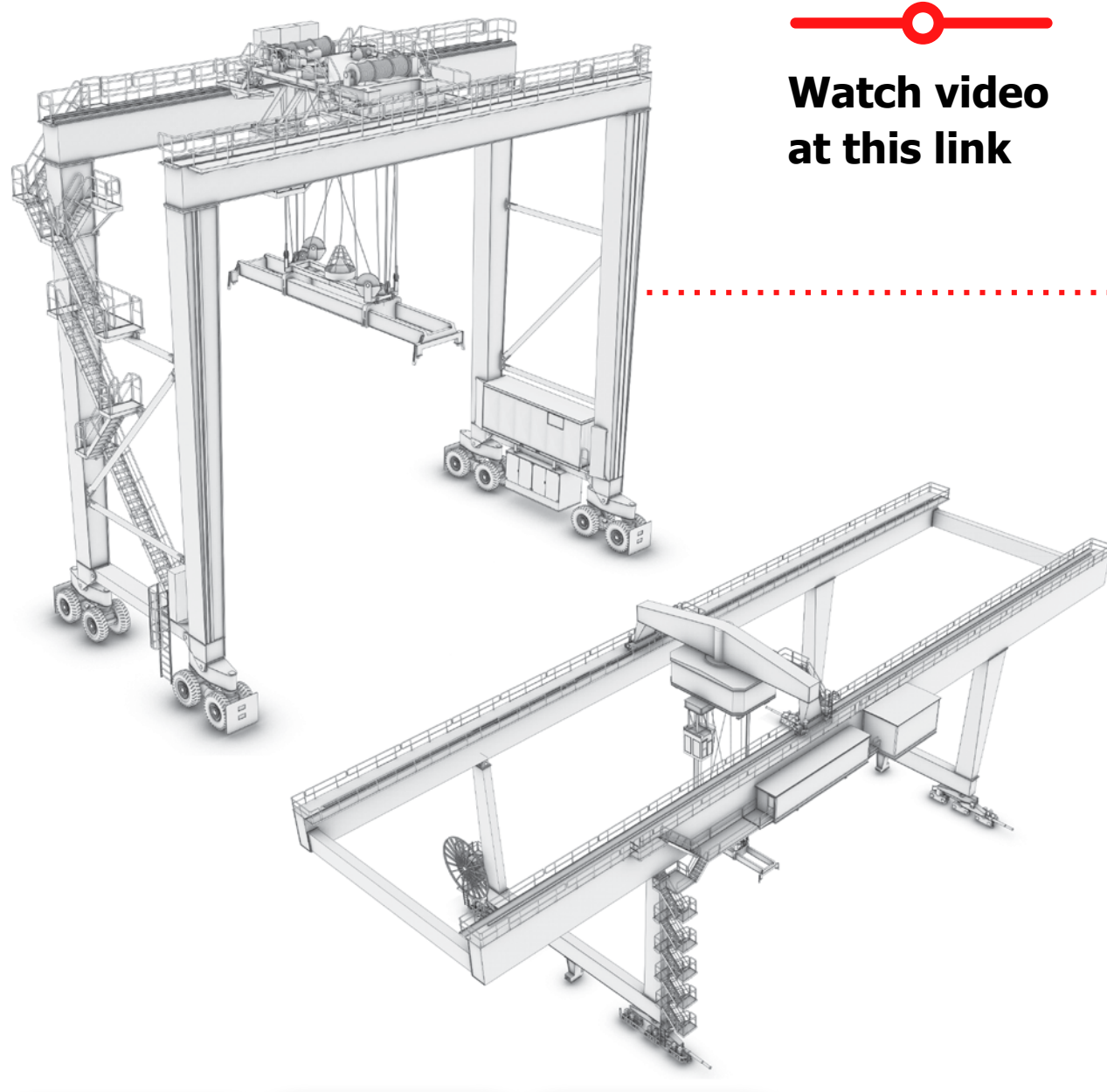
SMART FEATURE RETROFITS

Auto-Positioning Retrofit

Eliminates positioning errors and increases speed of operation as the crane will automatically stop precisely above the correct container or slot.



Watch video at this link



EQUIPMENT

This technology can be applied to all Konecranes RTGs and RMGs as well as **other brands**.

System can be implemented to other brands as well, but Konecranes Auto-Steering and Auto-TOS are a prerequisite.

AB

Any Brand

RTG

Rubber-Tyred Gantry

RMG

Rail-Mounted Gantry



BENEFITS

- Reduces risks associated with driver fatigue and of operating in adverse weather
- Creates more precisely shaped container stacks
- Decreases cycle times as it enables a faster more confident approach to the target
- Reduces unnecessary movements
- Also works when positioning over trucks and railway cars
- Proprietary DGPS algorithms calculate centimetre level accurate GPS positions.

HOW IT WORKS

- Auto-Positioning receives its target slot from the TOS
- The crane can then only move towards the identified target position
- Auto-Positioning helps the operator to reduce speed and brake to a stop
- The operator still controls the gantry and trolley, but gantry movement is limited to a defined area around the target
- The gantry position is typically measured using GPS, and the trolley position is measured using laser sensors or pulse counters.

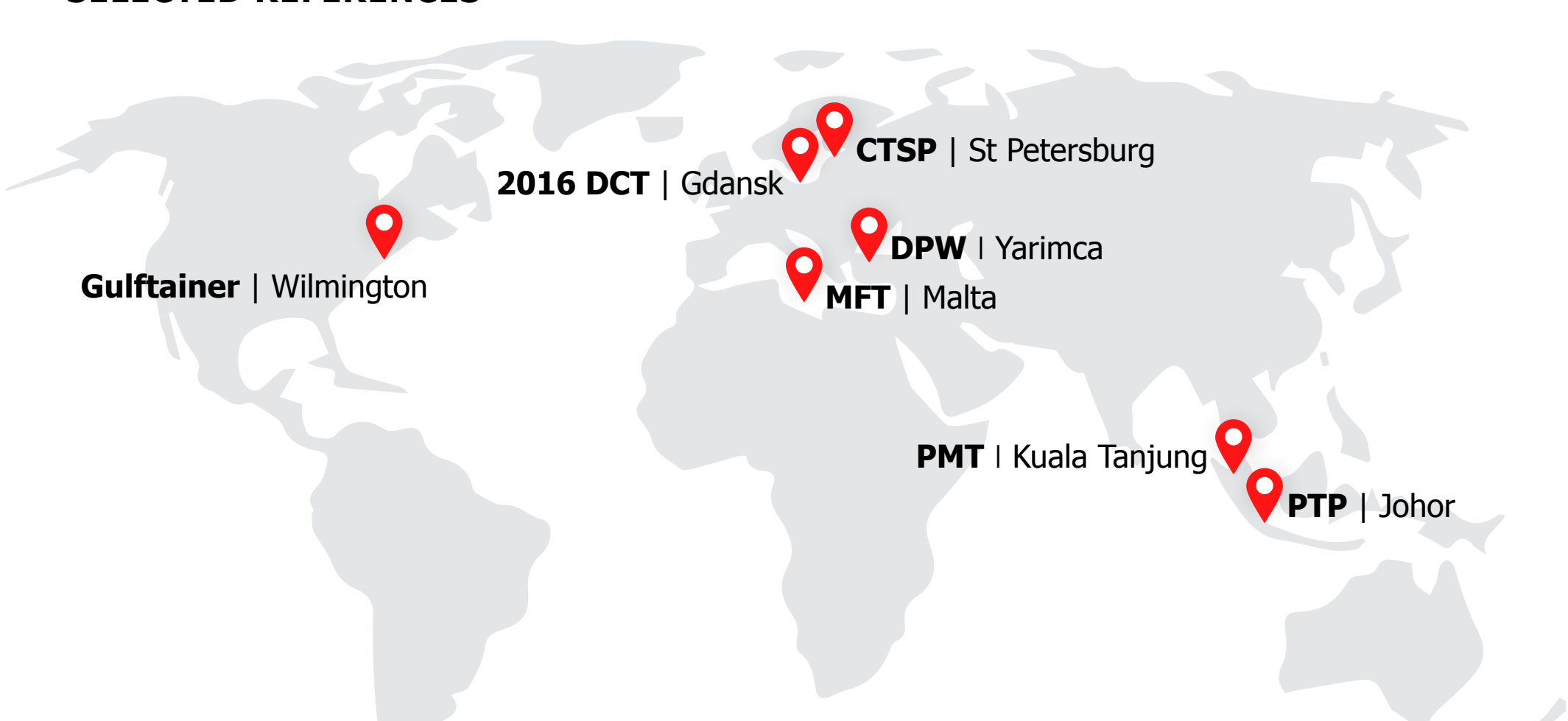
WHAT YOU NEED TO KNOW

- Auto-Steering and Auto-TOS reporting are prerequisites for Auto-Positioning
- Site works and commissioning: 1-2 days per crane
- Customer needs:
 - To apply for necessary radio frequency license that the system needs for the base station communication.



Image courtesy of MSC, Valencia

SELECTED REFERENCES



Year	Customer/Location	Quantity
2020/21	Gulfainer / Wilmington	9
2020	DPW / Yarimca	6
2020	CTSP / St Petersburg	5
2019	MFT / Malta	15
2019	PTP / Johor	12
2018	PMT / Kuala Tanjung	8
2016	DCT / Gdansk	15



Konecranes is a world-leading group of Lifting Businesses™, serving a broad range of customers, including manufacturing and process industries, shipyards, ports and terminals. Konecranes provides productivity enhancing lifting solutions as well as services for lifting equipment of all makes. The Group has more than 16,000 employees at 600 locations in 50 countries. Konecranes shares are listed on the Nasdaq Helsinki (symbol: KCR).

© 2020 Konecranes. All rights reserved. 'Konecranes', 'Lifting Businesses' and  are either registered trademarks or trademarks of Konecranes.

This publication is for general informational purposes only. Konecranes reserves the right at any time, without notice, to alter or discontinue the products and/or specifications referenced herein. This publication creates no warranty on the part of Konecranes, express or implied, including but not limited to any implied warranty or merchantability or fitness for a particular purpose.