

# Modern, durable, lightweight lifting



# Advanced, reliable, safe and easy

The Konecranes C-series chain hoist crane brings general-purpose lifting in your everyday processes to a whole new level.

Built with our Core of Lifting components, the crane combines our innovative girder and adaptive end truck design with the Konecranes C-series hoist—our most advanced electric chain hoist to date.

Steady performance brings reliability, using components designed to last the entire lifecycle of your crane. Smooth and quiet operation with a light hook and ergonomic controls provides optimum operator comfort.

The Konecranes C-series chain hoist crane is a modern, long-lasting and dependable lifting machine that gives you smooth and precise load handling up to 5 tons.

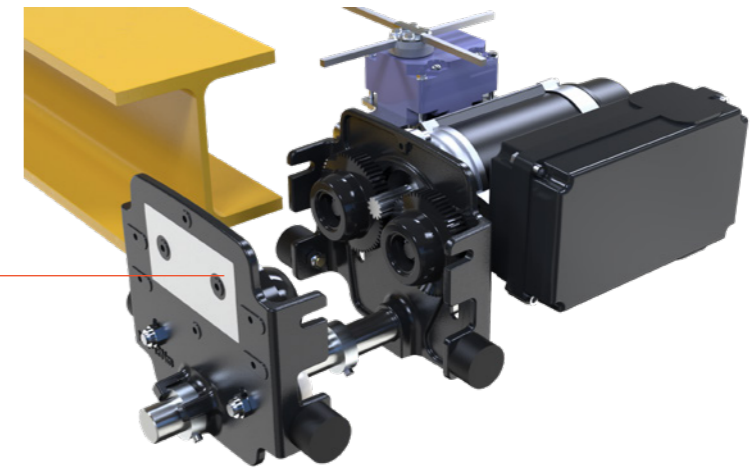


**01 SLIDING CONNECTION**  
This option can improve overall crane lifetime by reducing mechanical stress.

**02 GIRDER DESIGN**  
Works together with compact hoist for optimal approach dimensions.

**03 ERGONOMIC PENDANT**  
Improves operator safety and comfort.

**FLEXIBLE TROLLEY**  
The trolley has a modular design and is easily adjustable for a wide range of flange widths.



## Hoist highlights

**01 SLIPPING CLUTCH**  
For outstanding reliability through reduced heat stress.

**02 SELF-ADJUSTING BRAKE**  
The brake is designed for long life, reliability and low maintenance.

**08 HIGH-QUALITY MOTOR**  
The motor is purpose-built for reliable long-term lifting in demanding conditions.

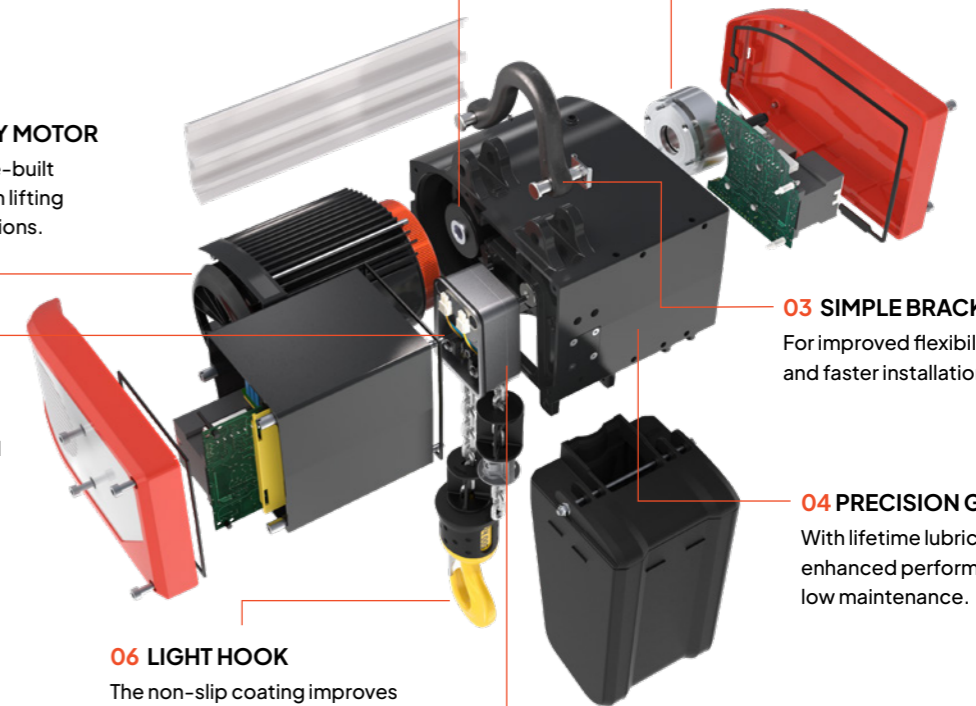
**07 OPERATING LIMIT SWITCH**  
The protected internal design enhances durability.

**03 SIMPLE BRACKET DESIGN**  
For improved flexibility and faster installation.

**04 PRECISION GEARS**  
With lifetime lubrication for enhanced performance and low maintenance.

**06 LIGHT HOOK**  
The non-slip coating improves operator safety and comfort.

**05 TIGHT SPROCKET PAIRING**  
Helps reduce friction and wear with smoother chain flow.





## Konecranes C-series crane technical details

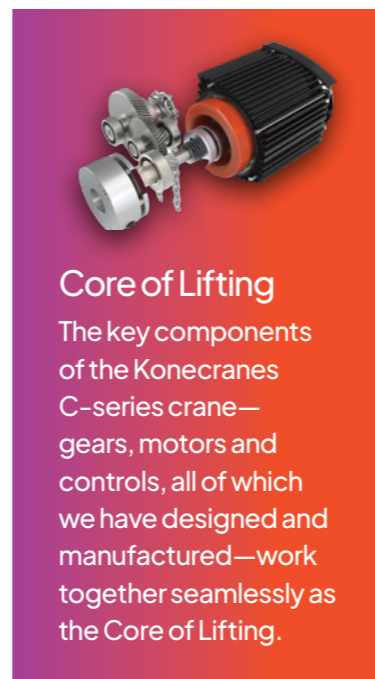
FEATURES	SPECIFICATIONS
Load range	250 kg - 5000 kg
HoL (meters)	Hoists with 1 chain fall, 16 m Hoists with 2 chain falls, 10 m
Hoisting speeds (m/min)	4/1, 8/2, 12/3, 16/4
Ambient temperature range	-10°C - +40°C
Environment	Indoor use
Hoists on the crane	1 hoist on crane
Crane type	Top running single girder and under running cranes
Crane structure	Profile and box girders (with sliding connection as an option)
Crane controls	Stepless traveling movements
Hoist controls	2-speed or stepless hoisting movements
Hoist power supply	Festoon or energy chain
Max span	Profile girder 19 meters and box girder 22 meters
Voltages	380V - 415V/ 50Hz 440V - 480V/ 60Hz Control voltage 48V and 115V
Crane controller type	Movable pendant, connected to festoon Optional radio controller

## Built with state-of-the-art crane technology

Each Konecranes C-series crane uses the latest technical advances for a modern, durable lifting machine. Fan cooling brings more power to the motor, allowing you longer continuous operation with a cycling duty factor up to 60% and 300 starts per hour.

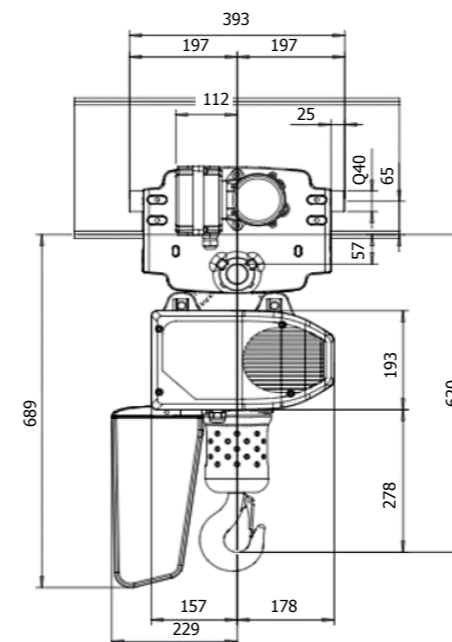
Add to that a lifetime lubricated gearbox that improves reliability and raises your productivity with a wide range of lifting speeds and a slipping clutch that helps protect operators from dangerous overloads. In addition, the self-adjusting brake will last more than one million operations and it always engages if you lose power.

The design of the chain guide with a tight chain and sprocket pairing gives you smooth chain flow to help extend chain life. You get all of this inside a sleek hoist combined with optimal main girder dimensioning for narrow hook approaches in limited working spaces.



### Core of Lifting

The key components of the Konecranes C-series crane—gears, motors and controls, all of which we have designed and manufactured—work together seamlessly as the Core of Lifting.



C-SERIES VS. TRADITIONAL WIRE ROPE HOIST OUTER DIMENSIONS CRANE LOAD 2500 KG AND HEIGHT OF LIFT 9 M	
Width of trolley + C-series hoist combination	426 mm
Width of wire rope hoist	760 - 800 mm

# Industrial applications

Each industry has its own unique lifting requirements. Some demand more precision, while others need smooth motion. A high duty cycle in a challenging environment is different from occasional lifts.

Sometimes available working space is the deciding factor. With a wide range of features and options, the Konecranes C-series crane suits many different industries in a compact and economical form.

## Manufacturing and assembly

Assembly lines consist of several subsequent steps, each requiring its own lifting device. The product moves rapidly from one step to the next as it is put together. Good planning positions cranes carefully above each workstation, using space and time efficiently. Lightweight hooks allow easy manipulation.

### Automotive

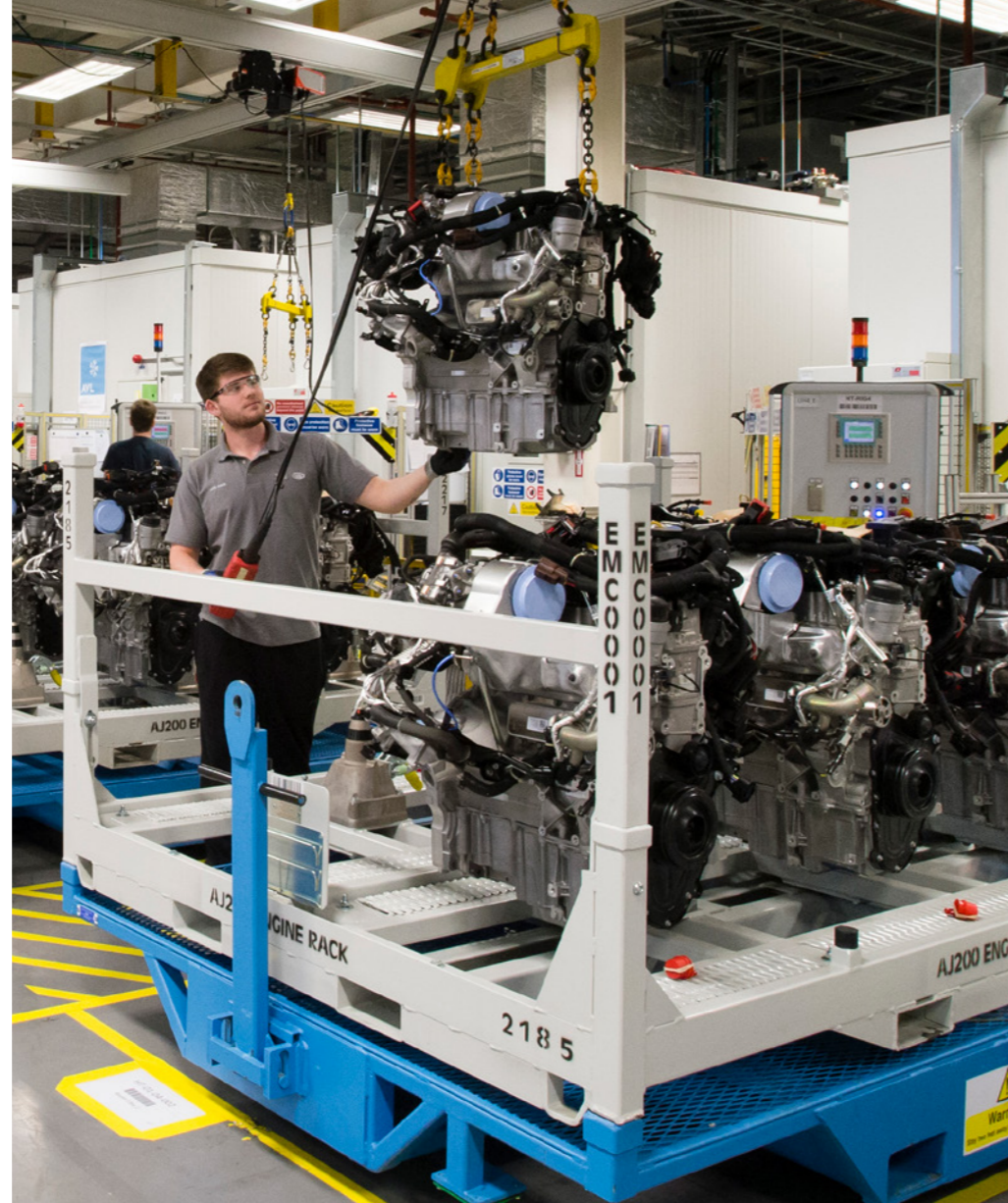
The 4:1 speed ratio of dual speed hoists or stepless inverters allow fast and precise movement, important in delicate assembly work.

### Wood and saw mills

Whether it's small wood blocks or complete building elements, chain hoist cranes make operations easy and accurate with a wide capacity range.

### General manufacturing

A Konecranes C-series crane suits any basic lifting need, especially on production lines with limited space, where its compact size and narrow hook approaches make it ideal.



## Processes

Process applications are different to assembly environments and resistance against humidity, dust and temperature may be necessary. When Konecranes C-series cranes perform service operations, they are used less, but they need to be reliable and ready at a moment's notice.

### Paper and forest

Making paper can be both dusty and wet because of the wood fibers, water and additives used in the process and heat dries the end product. Special features added to Konecranes C-series cranes can easily handle such conditions.

### Waste-to-energy

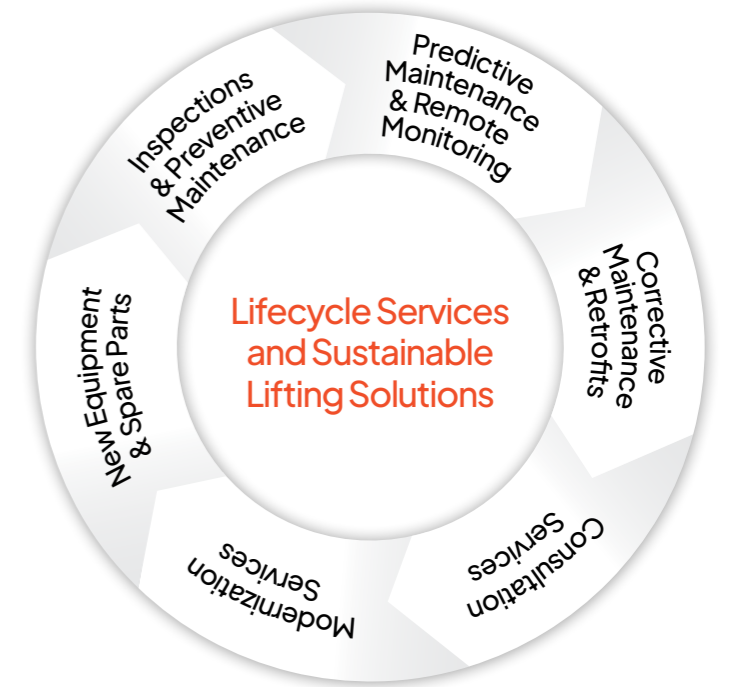
WTE processes usually operate 24/7, so any planned or unplanned maintenance must be fast and highly efficient. Maintenance using Konecranes C-series cranes rely on durable hoist components, always ready to perform when needed.

# Maximize reliability and performance

You can maximize the lifecycle value of your Konecranes C-series crane with a Konecranes service program that is tailored to your requirements. A program of regular inspections and preventive maintenance supports compliance and helps identify risks and opportunities for improvement.

At Konecranes we take a comprehensive and systematic approach to managing customer assets throughout our Lifecycle Services. We don't just drop off a report on the way out, we consult with you to help guide your decision making. We share our findings, provide recommendations based on our industry-leading expertise and discuss how each action impacts your operations and the entire health of your business.

We have the largest and most extensive service network in the industry giving you the advantage of local inspectors and technicians with access to a wealth of knowledge gained from servicing hundreds of thousands of assets of all makes and models in a wide range of industries.



Learn more about Konecranes Service:  
[konecranes.com/service](https://konecranes.com/service)

## Committed to sustainable lifting solutions

Konecranes is committed to providing sustainable lifting solutions and services while preventing and minimizing emissions and waste. Lifecycle thinking combined with usability, eco-efficiency and safety guide us in the design of our products and services. Our aim is to maximize the lifecycle value of our products.





Konecranes is a global leader in material handling solutions, serving a broad range of customers across multiple industries. We consistently set the industry benchmark, from everyday improvements to the breakthroughs at moments that matter most, because we know we can always find a safer, more productive and sustainable way. That's why, with around 16,600 professionals in over 50 countries, Konecranes is trusted every day to lift, handle and move what the world needs. In 2023, Group sales totaled EUR 4.0 billion. Konecranes shares are listed on Nasdaq Helsinki (symbol: KCR).

© 2024 Konecranes. All rights reserved. 'Konecranes,' 'Moves what matters' and  are either registered trademarks or trademarks of Konecranes.

This publication is for general informational purposes only. Konecranes reserves the right at any time, without notice, to alter or discontinue the products and/or specifications referenced herein. This publication creates no warranty on the part of Konecranes, express or implied, including but not limited to any implied warranty or merchantability or fitness for a particular purpose.

**KONECRANES** Moves what matters.