



This tree-friendly pdf works best on screens and not paper.

## HOW DID

# A dolphin evolve into one of the planets smartest animals?

Powerful neural **adaptations** for more sophisticated **computational strategies**.



# Mobile Harbor Crane Control Upgrade

A simple, smart adaptation that readies a 15-year-old crane for many more years of operation.

## Intelligence. Evolved.



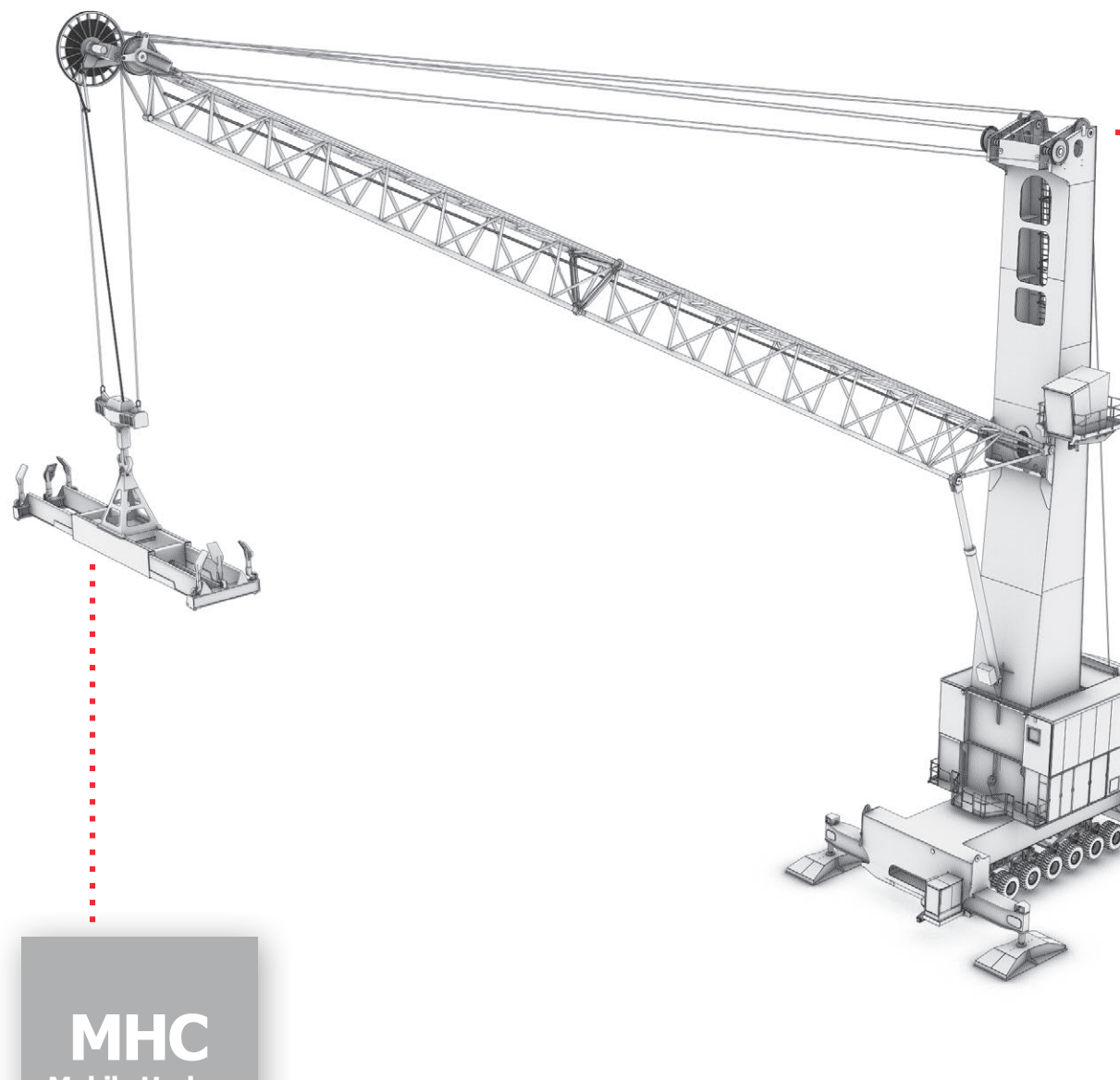
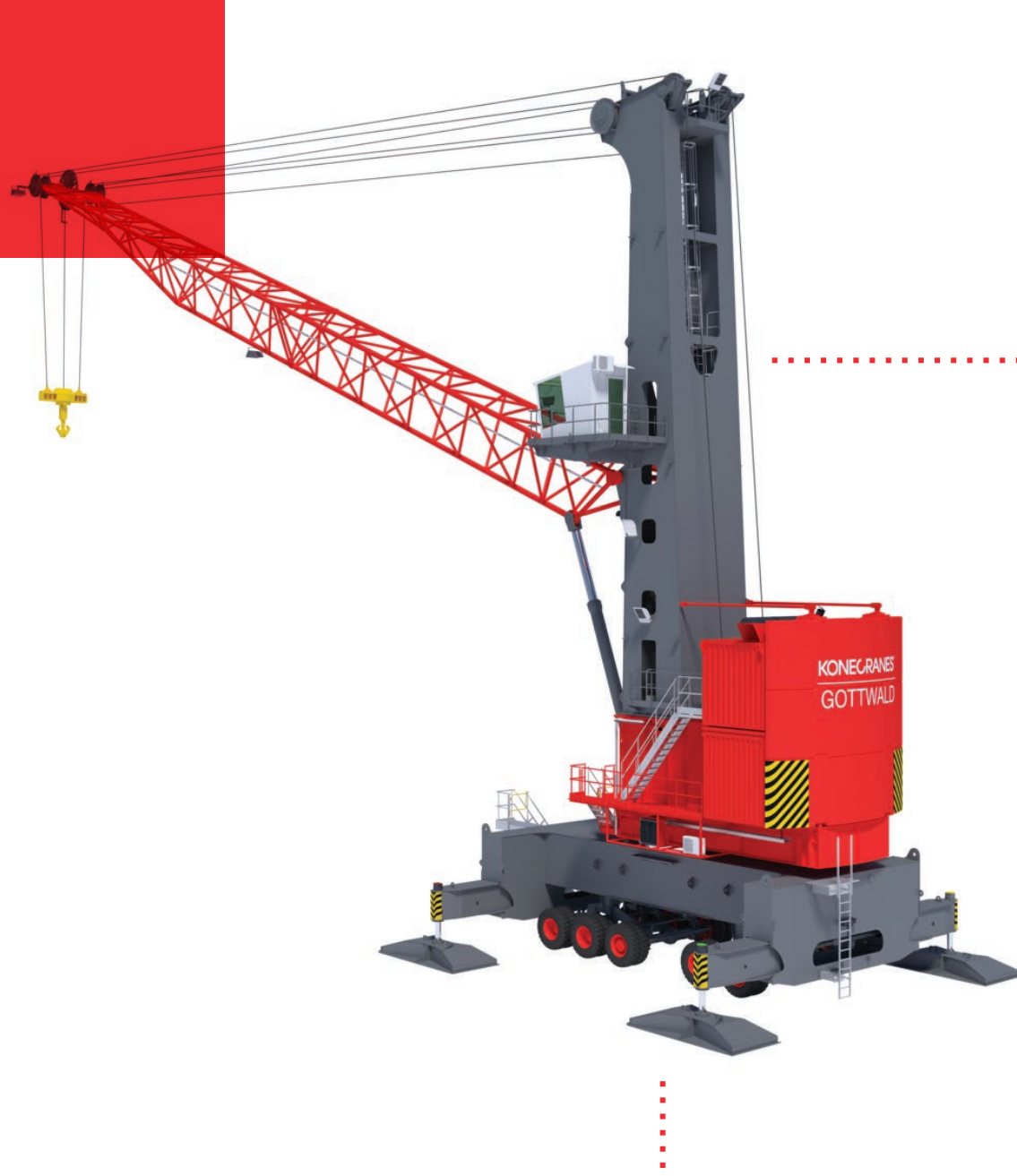
### ADAPT AND THRIVE

Konecranes is the premier **port services** provider to brownfield terminal developments. Our range of retrofit products will enable your fleet to adapt to a fast-changing environment. Welcome to your **evolution**.

Small, incremental changes that enable existing fleets to continue to adapt and thrive.

# MHC Control Upgrade

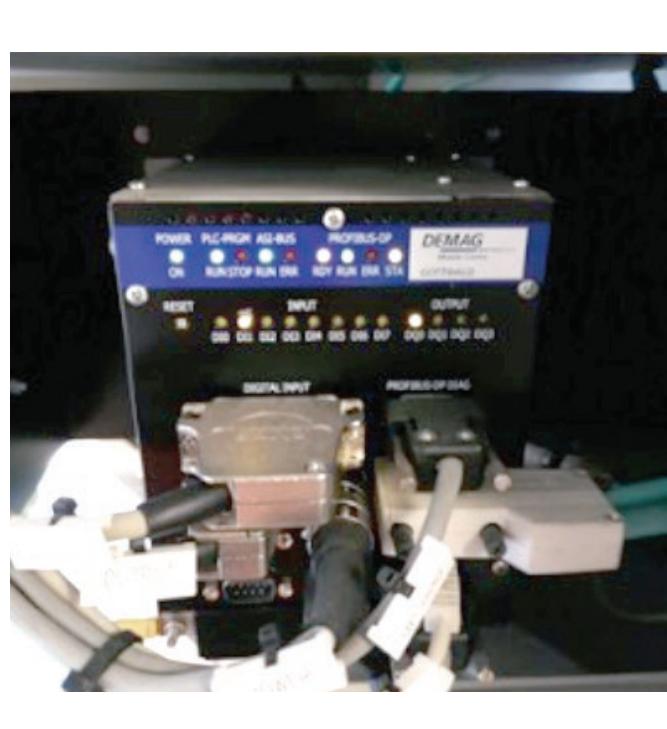
A simple way to extend the operating life and availability of your mobile harbor crane.



### EQUIPMENT

This is a standardized retrofit applicable to Konecranes Gottwald MHCs K2000.

**MHC**  
Mobile Harbor Crane



### WHY UPGRADE THE MHC'S PROGRAMABLE LOGIC CONTROLLER?

After 10 to 20 years, the steel structure of MHCs is likely to last for more years,\* but –

- The computer hardware and software components in these cranes are now obsolete.
- Sourcing original spares and support is no longer possible. This negatively impacts crane availability and terminal productivity.

+ The SPC600 control upgrade includes one selected PC, a CodeSys 3.5 control system and VISUMATIC 8 as well as a UPS.

\* Assuming normal usage and conditions.

### BENEFITS

- After the retrofit, Konecranes guarantees spare parts support.
- Included with the retrofit are new monitors for the control room and operator cabin.
- This retrofit is a turn-key solution that includes:
  - installation, testing and commissioning
  - technical documentation
  - training support.
- Decreased downtime means increased productivity.
- Modern technology extends the lifespan of an old MHC for between 10 and 15 years.
- Supports sustainability principles of improving existing equipment – saving materials, transport costs and emissions.



### WHAT YOU NEED TO KNOW

- MHC SPC600 retrofit is delivered with industrial internet capabilities as standard.
- The software retrofit is customized for each MHC so that for the final software application, both the operation for the crane driver as well as the functionality remains identical.
- Proactive retrofit: downtime = 1 to 2 weeks, depending on the specific crane.
- Reactive retrofit: downtime = 1 to 2 months, depending on specific crane.

### SELECTED REFERENCES



**PD Ports | Middlesbrough**

Year	Customer/Location	Quantity
2021	PD Ports / Middlesbrough	1

## Ports. Evolved.



Konecranes is a world-leading group of Lifting Businesses™, serving a broad range of customers, including manufacturing and process industries, shipyards, ports and terminals. Konecranes provides productivity enhancing lifting solutions as well as services for lifting equipment of all makes. The Group has more than 16,000 employees at 600 locations in 50 countries. Konecranes shares are listed on the Nasdaq Helsinki (symbol: KCR).

© 2021 Konecranes. All rights reserved. 'Konecranes', 'Lifting Businesses' and are either registered trademarks or trademarks of Konecranes.

This publication is for general informational purposes only. Konecranes reserves the right at any time, without notice, to alter or discontinue the products and/or specifications referenced herein. This publication creates no warranty on the part of Konecranes, express or implied, including but not limited to any implied warranty or merchantability or fitness for a particular purpose.