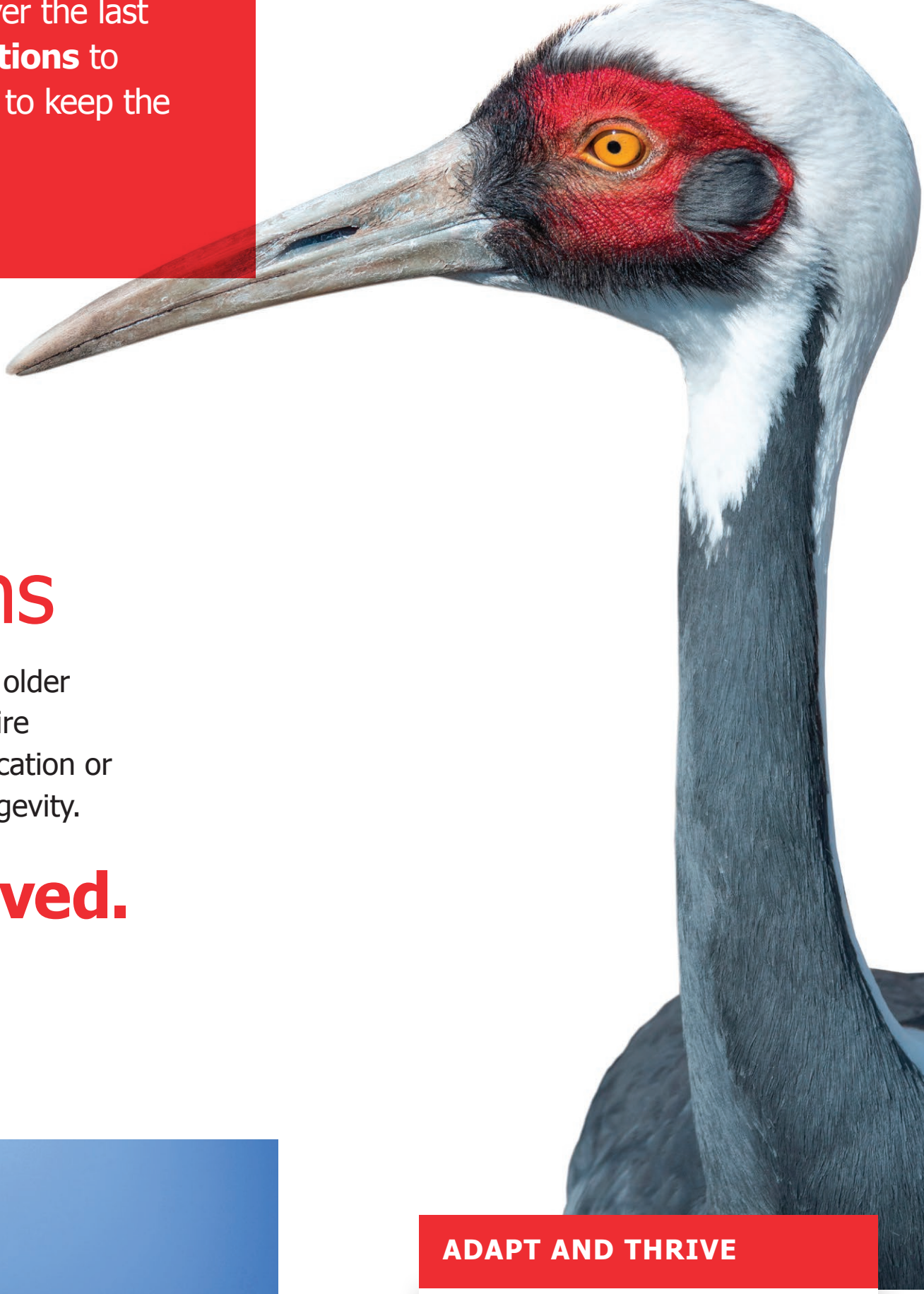


HOW HAS The Sandhill Crane become the oldest bird species on earth?

They are engineered to endure. Over the last 10 million years only slight **adaptations** to their wingspan have been required to keep the species thriving.



Crane Modernizations

Similarly, the steel structures of most older cranes retain their integrity, and require mostly small adjustments in reach, location or machinery to increase the crane's longevity.

Endurance. Evolved.



ADAPT AND THRIVE

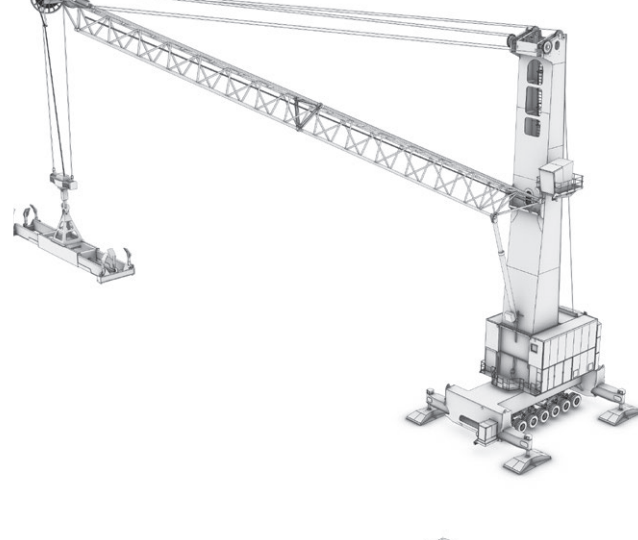
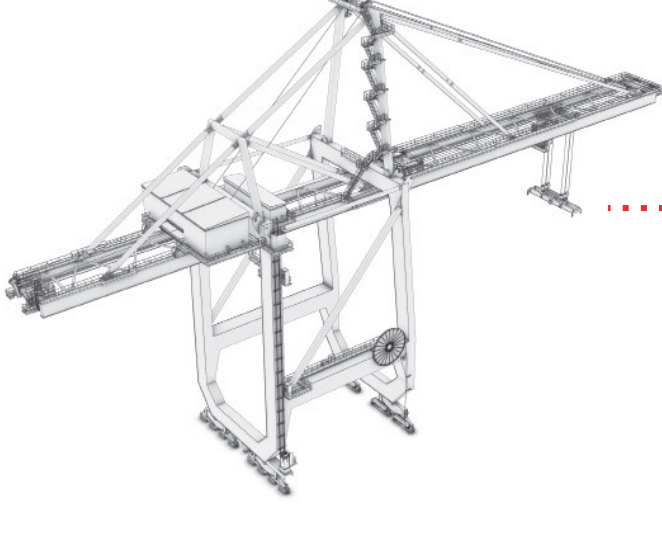
Konecranes is the premier **port services** provider to brownfield terminal developments. Our range of crane modernizations will enable your fleet to adapt to a fast-changing environment. Welcome to your **evolution**. Small, incremental changes that enable existing fleets to continue to adapt and thrive.

AB
Any Brand

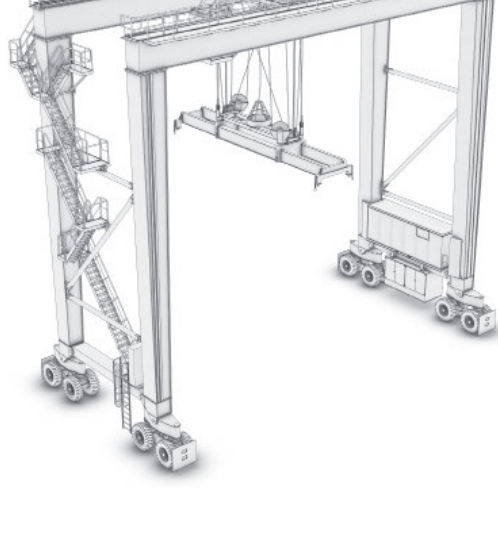
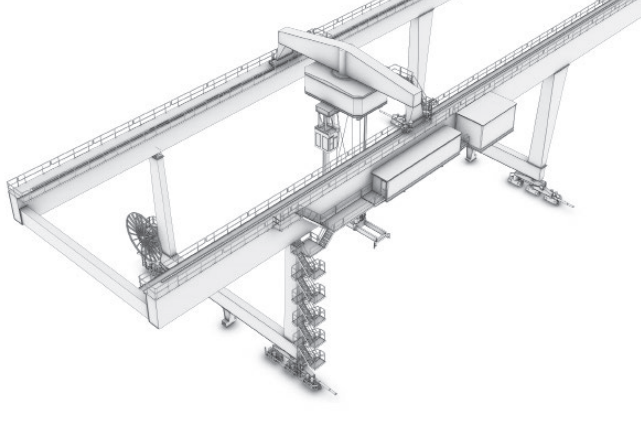
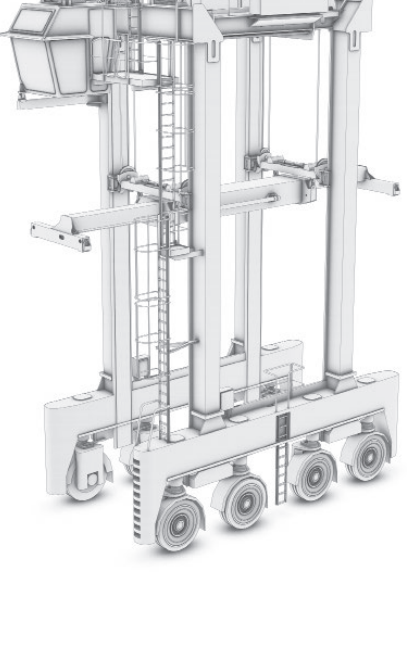
This technology can be applied to all Konecranes STS cranes, as well as other crane brands.

Complex & Custom Modernizations

Our dedicated Port Services engineering team offers a wide range of complex port crane modernizations and relocations.



EQUIPMENT
This technology can be applied to all Konecranes cranes, as well as other crane brands.



AB
Any Brand

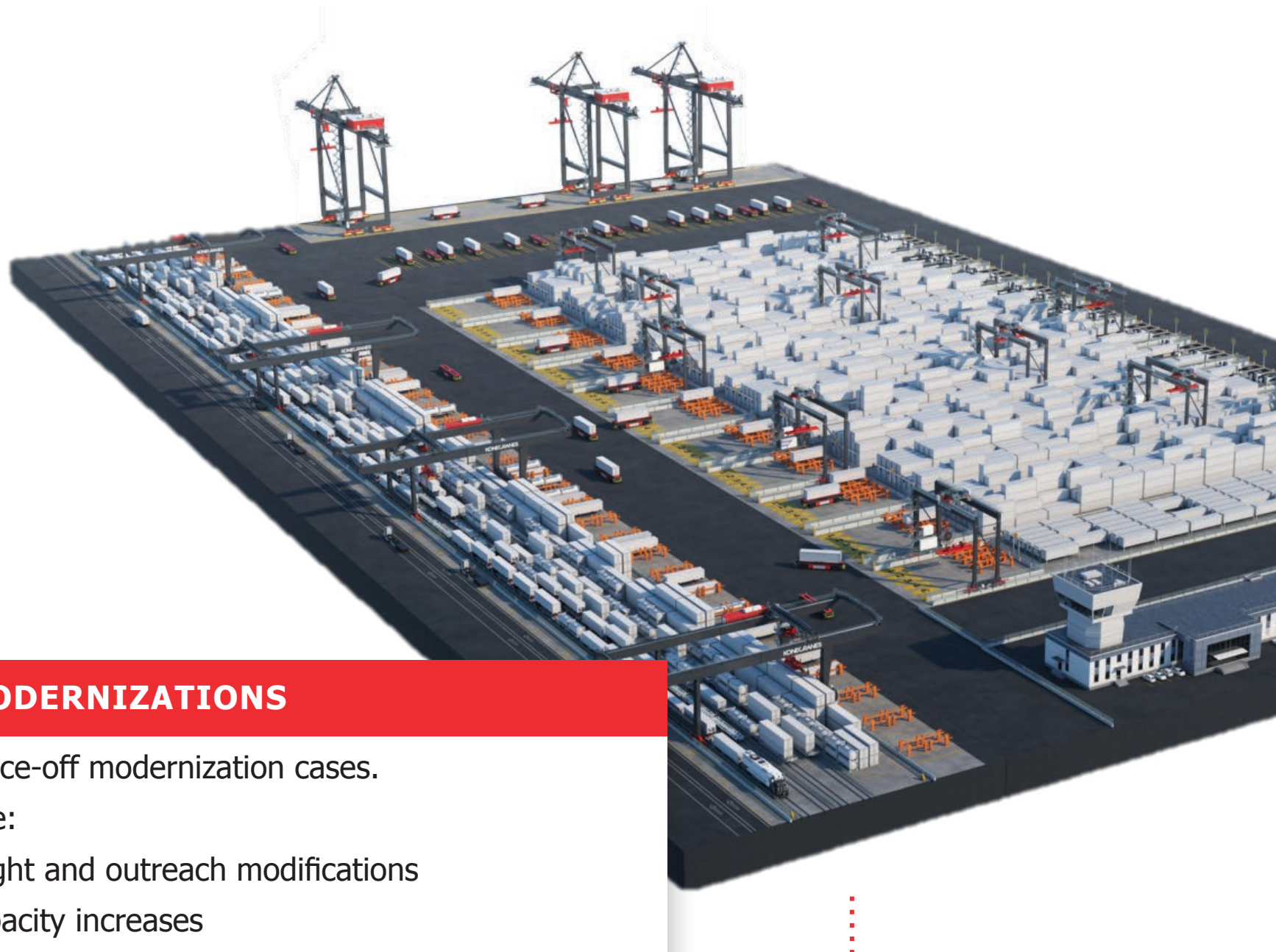
STS/GU
Ship-to-Shore Grab Unloader

SC
Straddle Carrier

MHC
Mobile Harbour Crane

RMG
Rail-Mounted Gantry

RTG
Rubber-Tyred Gantry



CUSTOM MODERNIZATIONS


- Complex once-off modernization cases. For example:
- Crane height and outreach modifications
 - Lifting capacity increases
 - Operational mode changes (e.g. from containers to bulk)
 - Machinery upgrades
 - Crane relocations

MORE INFO

CONTACT US



Konecranes is a world-leading group of Lifting Businesses™, serving a broad range of customers, including manufacturing and process industries, shipyards, ports and terminals. Konecranes provides productivity enhancing lifting solutions as well as services for lifting equipment of all makes. The Group has more than 16,000 employees at 600 locations in 50 countries. Konecranes shares are listed on the Nasdaq Helsinki (symbol: KCR).

© 2021 Konecranes. All rights reserved. 'Konecranes', 'Lifting Businesses' and  are either registered trademarks or trademarks of Konecranes.

This publication is for general informational purposes only. Konecranes reserves the right at any time, without notice, to alter or discontinue the products and/or specifications referenced herein. This publication creates no warranty on the part of Konecranes, express or implied, including but not limited to any implied warranty or merchantability or fitness for a particular purpose.